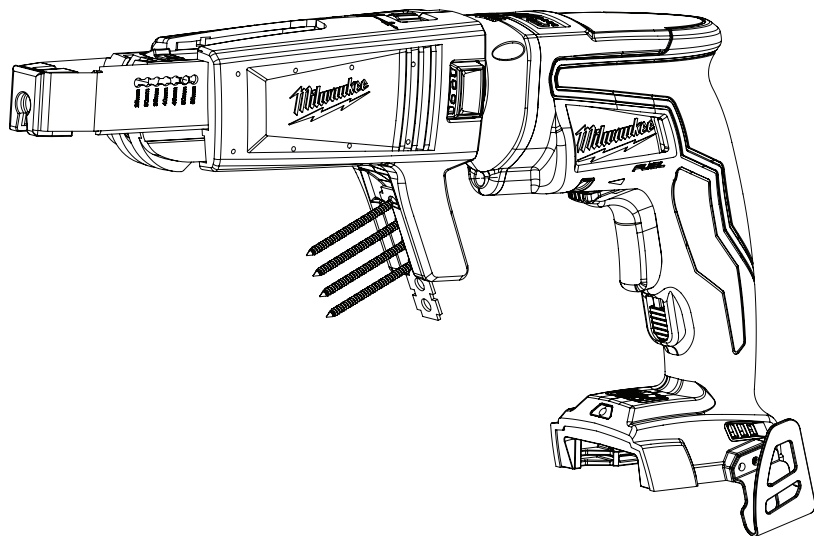




OPERATOR'S MANUAL



Cat. No.
M18 FSGC

M18™ FUEL™ SCREW GUN WITH COLLATED ATTACHMENT



WARNING

To reduce the risk of injury, user must read and understand operator's manual.



GENERAL POWER TOOL SAFETY WARNINGS

⚠WARNING Read all safety warnings, instructions, illustrations and specifications provided with this power tool. Failure to follow all instructions listed below may result in electric shock, fire and/or serious injury. **Save all warnings and instructions for future reference.** The term "power tool" in the warnings refers to your mains-operated (corded) power tool or battery-operated (cordless) power tool.

WORK AREA SAFETY

- **Keep work area clean and well lit.** Cluttered or dark areas invite accidents.
- **Do not operate power tools in explosive atmospheres, such as in the presence of flammable liquids, gases or dust.** Power tools create sparks which may ignite the dust or fumes.
- **Keep children and bystanders away while operating a power tool.** Distractions can cause you to lose control.

ELECTRICAL SAFETY

- **Power tool plugs must match the outlet.** Never modify the plug in any way. Do not use any adapter plugs with earthed (grounded) power tools. Unmodified plugs and matching outlets will reduce risk of electric shock.
- **Avoid body contact with earthed or grounded surfaces, such as pipes, radiators, ranges and refrigerators.** There is an increased risk of electric shock if your body is earthed or grounded.
- **Do not expose power tools to rain or wet conditions.** Water entering a power tool will increase the risk of electric shock.
- **Do not abuse the cord.** Never use the cord for carrying, pulling or unplugging the power tool. **Keep cord away from heat, oil, sharp edges or moving parts.** Damaged or entangled cords increase the risk of electric shock.
- **When operating a power tool outdoors, use an extension cord suitable for outdoor use.** Use of a cord suitable for outdoor use reduces the risk of electric shock.
- **If operating a power tool in a damp location is unavoidable, use a residual current device (RCD) protected supply.** Use of a RCD reduces the risk of electric shock.

PERSONAL SAFETY

- **Stay alert, watch what you are doing and use common sense when operating a power tool. Do not use a power tool while you are tired or under the influence of drugs, alcohol or medication.** A moment of inattention while operating power tools may result in serious personal injury.
- **Use personal protective equipment. Always wear eye protection.** Protective equipment such as a dust mask, non-skid safety shoes, hard hat or hearing protection used for appropriate conditions will reduce personal injuries.
- **Prevent unintentional starting. Ensure the switch is in the off-position before connecting to power source and/or battery pack, picking up or carrying the tool.** Carrying power tools with your finger on the switch or energising power tools that have the switch on invites accidents.
- **Remove any adjusting key or wrench before turning the power tool on.** A wrench or a key left

attached to a rotating part of the power tool may result in personal injury.

- **Do not overreach. Keep proper footing and balance at all times.** This enables better control of the power tool in unexpected situations.
- **Dress properly. Do not wear loose clothing or jewelry. Keep your hair and clothing away from moving parts.** Loose clothes, jewelry or long hair can be caught in moving parts.
- **If devices are provided for the connection of dust extraction and collection facilities, ensure these are connected and properly used.** Use of dust collection can reduce dust-related hazards.
- **Do not let familiarity gained from frequent use of tools allow you to become complacent and ignore tool safety principles.** A careless action can cause severe injury within a fraction of a second.

POWER TOOL USE AND CARE

- **Do not force the power tool. Use the correct power tool for your application.** The correct power tool will do the job better and safer at the rate for which it was designed.
 - **Do not use the power tool if the switch does not turn it on and off.** Any power tool that cannot be controlled with the switch is dangerous and must be repaired.
 - **Disconnect the plug from the power source and/or remove the battery pack, if detachable, from the power tool before making any adjustments, changing accessories, or storing power tools.** Such preventive safety measures reduce the risk of starting the power tool accidentally.
 - **Store idle power tools out of the reach of children and do not allow persons unfamiliar with the power tool or these instructions to operate the power tool.** Power tools are dangerous in the hands of untrained users.
 - **Maintain power tools and accessories. Check for misalignment or binding of moving parts, breakage of parts and any other condition that may affect the power tool's operation. If damaged, have the power tool repaired before use.** Many accidents are caused by poorly maintained power tools.
 - **Keep cutting tools sharp and clean.** Properly maintained cutting tools with sharp cutting edges are less likely to bind and are easier to control.
 - **Use the power tool, accessories and tool bits etc. in accordance with these instructions, taking into account the working conditions and the work to be performed.** Use of the power tool for operations different from those intended could result in a hazardous situation.
 - **Keep handles and grasping surfaces dry, clean and free from oil and grease.** Slippery handles and grasping surfaces do not allow for safe handling and control of the tool in unexpected situations.
- ### BATTERY TOOL USE AND CARE
- **Recharge only with the charger specified by the manufacturer.** A charger that is suitable for one type of battery pack may create a risk of fire when used with another battery pack.
 - **Use power tools only with specifically designated battery packs.** Use of any other battery packs may create a risk of injury and fire.
 - **When battery pack is not in use, keep it away from other metal objects, like paper clips, coins, keys, nails, screws or other small metal objects, that can make a connection from one terminal**

to another. Shorting the battery terminals together may cause burns or a fire.

• **Under abusive conditions, liquid may be ejected from the battery; avoid contact. If contact accidentally occurs, flush with water. If liquid contacts eyes, additionally seek medical help.** Liquid ejected from the battery may cause irritation or burns.

• **Do not use a battery pack or tool that is damaged or modified.** Damaged or modified batteries may exhibit unpredictable behavior resulting in fire, explosion or risk of injury.

• **Do not expose a battery pack or tool to fire or excessive temperature.** Exposure to fire or temperature above 130°C (265°F) may cause explosion.

• **Follow all charging instructions and do not charge the battery pack or tool outside the temperature range specified in the instructions.** Charging improperly or at temperatures outside the specified range may damage the battery and increase the risk of fire.

SERVICE

• **Have your power tool serviced by a qualified repair person using only identical replacement parts.** This will ensure that the safety of the power tool is maintained.

• **Never service damaged battery packs.** Service of battery packs should only be performed by the manufacturer or authorised service providers.

SPECIFIC SAFETY RULES FOR SCREW GUN

• **Hold power tool by insulated gripping surfaces, when performing an operation where the fastener may contact hidden wiring or its own cord.** Fasteners contacting a "live" wire may make exposed metal parts of the power tool "live" and could give the operator an electric shock.

• **Maintain labels and nameplates.** These carry important information. If unreadable or missing, contact a MILWAUKEE® service facility for a replacement.

• **WARNING** Some dust created by power sanding, sawing, grinding, drilling, and other construction activities contains chemicals known to cause cancer, birth defects or other reproductive harm. Some examples of these chemicals are:

- lead from lead-based paint
- crystalline silica from bricks and cement and other masonry products, and
- arsenic and chromium from chemically-treated lumber.

Your risk from these exposures varies, depending on how often you do this type of work. To reduce your exposure to these chemicals: work in a well ventilated area, and work with approved safety equipment, such as those dust masks that are specially designed to filter out microscopic particles.

SYMBOLOLOGY



Volts



Direct Current

n_r XXXX min⁻¹ No Load Revolutions per Minute (RPM)

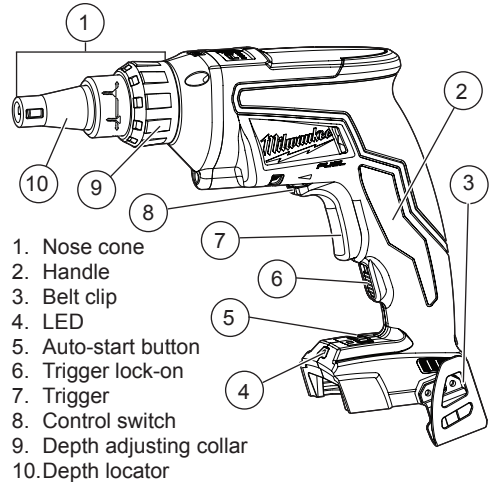


Read Operator's Manual

SPECIFICATIONS

| | |
|-------------------|----------|
| Cat. No..... | M18 FSGC |
| Volts..... | 18 DC |
| Battery Type..... | M18™ |
| Charger Type..... | M18™ |
| RPM..... | 0 - 1900 |

FUNCTIONAL DESCRIPTION



1. Nose cone
2. Handle
3. Belt clip
4. LED
5. Auto-start button
6. Trigger lock-on
7. Trigger
8. Control switch
9. Depth adjusting collar
10. Depth locator

ASSEMBLY

WARNING Recharge only with the charger specified for the battery. For specific charging instructions, read the operator's manual supplied with your charger and battery.

Removing/Inserting the Battery

To remove the battery, push in the release buttons and pull the battery pack away from the tool.

WARNING Always remove battery pack before changing or removing accessories.

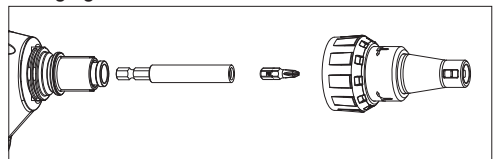
To insert the battery, slide the pack into the body of the tool. Make sure it latches securely into place.

WARNING Only use accessories specifically recommended for this tool. Others may be hazardous.

Installing and Removing Bits

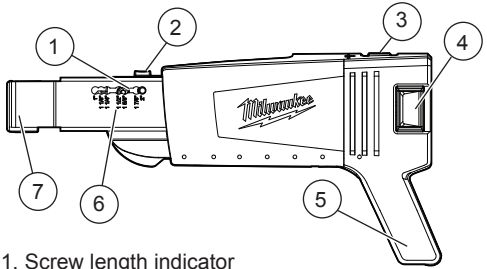
1. Remove battery pack.
2. Grasp the nose cone firmly and pull away from the tool.
3. Remove and replace the bit in bit holder.
4. Push the nose cone onto the tool until it snaps into place.

NOTE: Depth adjustments should be reset after changing bits.



Attach the collated attachment

FUNCTIONAL DESCRIPTION

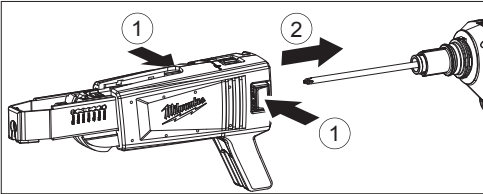
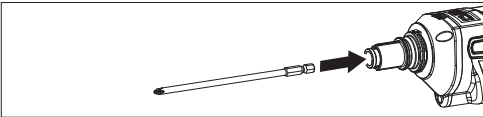
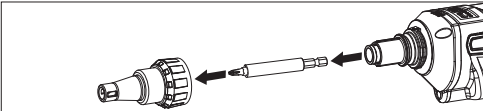


1. Screw length indicator
2. Screw length adjustment lever
3. Depth adjustment dial
4. Tool release buttons
5. Screw strip guide
6. Screw length scale
7. Nose

SPECIFICATIONS

Max Capacity 55 mm (2.2")
 For use with M18 FSGC-0
 M18™ FUEL™ Drywall Screw Gun

The chuck is removed from the tool before attaching collated attachment.



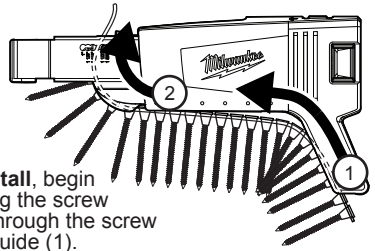
ASSEMBLY

WARNING Only use accessories specifically recommended for this tool. Others may be hazardous.

Attaching to the Screw Gun

1. Remove the battery from the tool.
2. Remove the nose cone from the tool.
3. Remove all bits and accessories from the screw gun.
4. Install the extended PH2 bit into the screw gun.
5. Line up the collated attachment with the screw gun and snap into place.
6. To remove, remove battery pack and screws. Press in the tool release buttons and pull the collated attachment off of the tool.

Installing Collated Screw Strips



1. To install, begin feeding the screw strip through the screw strip guide (1).
2. Following the contour of the tool, feed the strip over the gear wheel, through the nose of the tool (2).
3. The first screw will "click" into position.
4. **NOTE:** To remove screws, continue to pull forward over the gear wheel. Do not pull out from the bottom. This will damage the gear wheel.

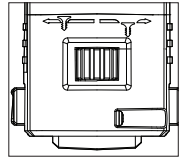
OPERATION

WARNING To reduce the risk of injury, always wear safety goggles or glasses with side shields.

Adjusting the Depth of Drive

To adjust the depth of drive, rotate the depth of drive dial. Continue adjusting the depth locator to the desired depth.

1. To increase the driving depth, turn the dial clockwise.
2. To decrease the driving depth, turn the dial counterclockwise.



Using the Collated Attachment

1. Align the nose square against the work surface.
2. Pull the trigger and lock-on the tool according to the screw gun's operator's manual.
3. Push the tool forward smoothly to sink the screw into the work surface.
4. Lift the tool from the work surface. The next screw in the strip is automatically moved into place.

Maintenance

Keep your tool, battery pack and charger in good repair by adopting a regular maintenance program. Inspect your tool for issues such as undue noise, misalignment or binding of moving parts, breakage of parts, or any other condition that may affect the tool operation.

Cleaning

Clean dust and debris from vents. Keep handles clean, dry and free of oil or grease. Use only mild soap and a damp cloth to clean, since certain cleaning agents and solvents are harmful to plastics and other insulated parts. Some of these include gasoline, turpentine, lacquer thinner, paint thinner, chlorinated cleaning solvents, ammonia and household detergents containing ammonia.

Using the Control Switch

The control switch may be set to three positions: forward, reverse and lock. Always allow the motor to come to a complete stop before using the control switch to avoid damage to the tool.

For **forward** (clockwise) rotation, push the control switch from the right side of the tool. Check the direction of rotation before use.

For **reverse** (counterclockwise) rotation, push the control switch from the left side of the tool. Check direction of rotation before use.

To **lock** the trigger, push the control switch to the centre position. The trigger will not work while the control switch is in the centre locked position. Always lock the trigger or remove the battery pack before performing maintenance, changing accessories, storing the tool and any time the tool is not in use.

AWARNING To reduce the risk of injury, keep hands away from the bit and all moving parts.

Auto-Start Mode

In Auto-Start mode, the motor will not start until pressure is placed on the bit. Press the auto-start button to turn auto-start on and off. The auto-start indicator will light. Auto-start will remain on for 2 hours after last use unless turned off.

Auto-Start ON: When the trigger is pulled, the motor remains off until pressure is applied to the bit. With pressure, the motor turns on and the bit spins.

Auto-Start OFF: When the trigger is pulled, the motor runs but the bit does not spin until pressure is applied.

Trigger Lock-On

1. To lock the trigger **ON** for continuous use, pull the trigger and slide the lock up. The LED will remain on while the trigger is locked on.
2. To turn **OFF** the tool, pull and release the trigger.

Starting, Stopping and Controlling Speed

1. To **start** the tool, grasp the handles firmly and pull the trigger.

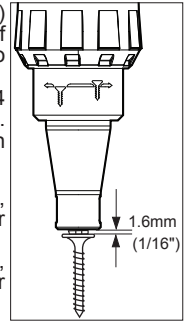
NOTE: A LED is turned on and remains on when the trigger is pulled or locked on in both auto-start ON and OFF modes. LED will go off about 9 seconds after trigger is released.

2. Apply **pressure** to the bit to begin driving.
3. To **vary** the speed, increase or decrease the pressure on the trigger. The further the trigger is pulled, the greater the speed.
4. To **stop** the tool, release the trigger. Make sure the tool comes to a complete stop before laying the tool down.

Depth Adjustment Using Nose Cone

Start with about 1.6 mm (1/16") clearance between the head of the screw and nose. Every two clicks of the depth adjusting collar equal 0.4 mm (1/64") in driving depth. Continue adjusting the depth locator to the desired depth.

1. To **increase** the driving depth, turn the depth adjusting collar clockwise ↻.
2. To **decrease** the driving depth, turn the depth adjusting collar counterclockwise ↻.



APPLICATIONS

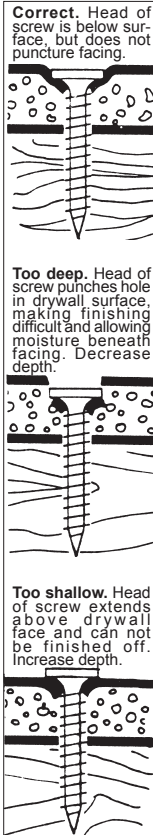
WARNING To reduce the risk of electric shock, check work area for hidden pipes and wires before drilling or driving screws.

Driving Drywall Screws

Standard drywall screws are generally designed for attaching drywall to wood studs and 26 through 20-gauge steel studs. The depth setting is very important. Refer to the guide below for the correct depth setting.

NOTE: Practice driving screws into pieces of scrap material to become familiar with the tool before attempting to drive screws into the work-piece.

1. Select the proper drywall screw for each job. Pilot holes are not needed.
2. Turn on auto-start (if desired).
3. Move the control switch to forward.
4. Pull the trigger and slide the lock-on up (if desired). Release the trigger.
5. Place the screw onto the depth locator, then align the screw against the work surface, making sure to hold the tool and screw square to the work surface. If the tool or screw are misaligned, the screw will not drive into the work surface or it will not drive straight.
6. Push the tool forward with a "punching" motion and maintain pressure to drive the screw. The tool will turn on, and the bit will begin to spin. If pressure is not maintained, the screw will not properly seat.
7. When the drive depth has been reached, the tool will turn off and the bit will stop spinning.
8. To **remove** screws, remove the nose cone and move the control switch to reverse.



MAINTENANCE

WARNING To reduce the risk of injury, always unplug the charger and remove the battery pack from the charger or tool before performing any maintenance. Never disassemble the tool, battery pack or charger. Contact a MILWAUKEE® service facility for ALL repairs.

Maintaining Tool

Keep your tool, battery pack and charger in good repair by adopting a regular maintenance program. Inspect your tool for issues such as undue noise, misalignment or binding of moving parts, breakage of parts, or any other condition that may affect the tool operation. Return the tool, battery pack, and charger to a MILWAUKEE® service facility for repair. After six months to one year, depending on use, return the tool, battery pack and charger to a MILWAUKEE® service facility for inspection.

If the tool does not start or operate at full power with a fully charged battery pack, clean the contacts on the battery pack. If the tool still does not work properly, return the tool, charger and battery pack, to a MILWAUKEE® service facility for repairs.

WARNING To reduce the risk of personal injury and damage, never immerse your tool, battery pack or charger in liquid or allow a liquid to flow inside them.

Cleaning

Clean dust and debris from vents. Keep handles clean, dry and free of oil or grease. Use only mild soap and a damp cloth to clean, since certain cleaning agents and solvents are harmful to plastics and other insulated parts. Some of these include gasoline, turpentine, lacquer thinner, paint thinner, chlorinated cleaning solvents, ammonia and household detergents containing ammonia. Never use flammable or combustible solvents around tools.

Repairs

For repairs, return the tool, battery pack and charger to the nearest service centre.

ACCESSORIES

WARNING Use only recommended accessories. Others may be hazardous.

Use only MILWAUKEE® accessories and MILWAUKEE® spare parts. Should components need to be replaced which have not been described, please contact one of our MILWAUKEE® service agents. Please visit www.milwaukeetools.com.au/ www.milwaukeetools.co.nz or contact our customer service centre (Australia Toll Free Telephone Number 1300 645 928) (New Zealand Toll Free Telephone Number 0800 279 624)

WARRANTY - AUSTRALIA and NEW ZEALAND

Please refer to Australian and New Zealand warranty supplied with tool. This warranty applies only to product sold in Australia and New Zealand.

SERVICE - AUSTRALIA and NEW ZEALAND

MILWAUKEE[®] prides itself in producing a premium quality product that is Nothing But Heavy Duty[®]. Your satisfaction with our products is very important to us! If you encounter any problems with the operation of this tool, please contact your authorised *MILWAUKEE*[®] dealer.

For a list of *MILWAUKEE*[®] dealers, guarantee or service agents please contact *MILWAUKEE*[®] Customer Service or visit our website.

(Australia Toll Free Telephone Number 1300 645 928)

(New Zealand Toll Free Telephone Number 0800 279 624)

or visit www.milwaukeetools.com.au / www.milwaukeetools.co.nz.

Milwaukee Electric Tool Corporation

13135 West Lisbon Road, Brookfield, Wisconsin U.S.A. 53005

Milwaukee Electric Tool Corporation (Australia)

Techtronic Industries (Australia) Pty. Ltd.

Rowville, Victoria, Australia, 3178

Milwaukee Electric Tool Corporation (New Zealand)

Techtronic Industries (New Zealand) Pty. Ltd.

Mangere, Auckland, New Zealand, 2022

Professionally made in China for Milwaukee Electric Tool Corporation